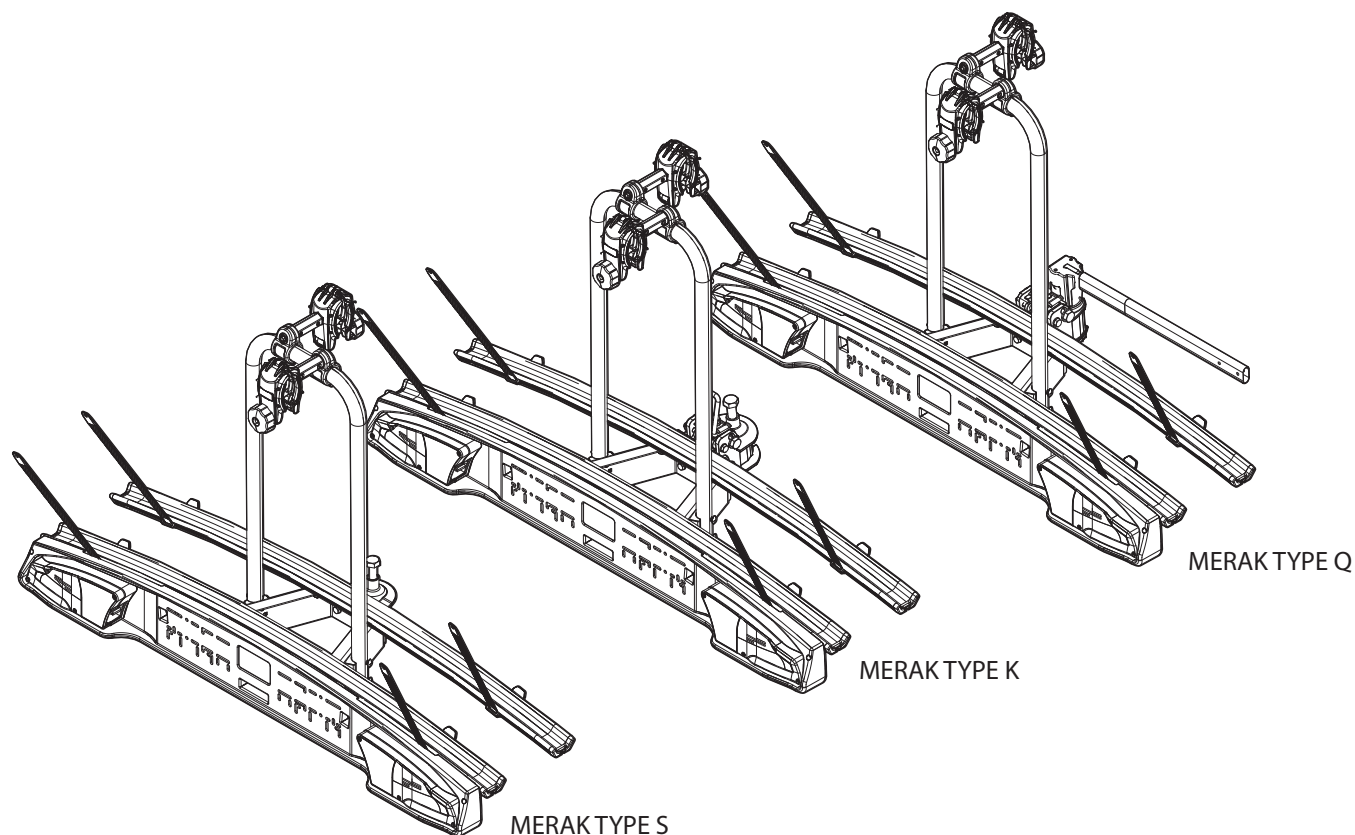


MENABO

free time on the move

MERAK

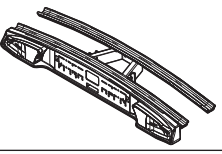

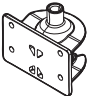
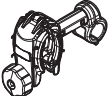
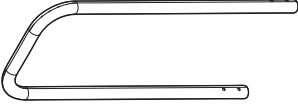
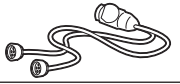






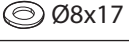

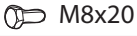



IT Istruzioni di montaggio	ET Paigaldusjuhend	PT Instruções de Montagem
EN Fitting instructions	FI Asennusohje	RO Instrucțiuni de montare
DE Montageanleitung	HR Uputa za sastavljanje	RU Инструкции по установке
FR Instructions de montage	HU A felszerelés módja	SK Návod na montáž
ES Instrucciones de montaje	LT Pritvirtinimo instrukcijos	SL Navodila za pritrjevanje
BG инструкции за сглобяване	LV Stiprināšanas instrukcija	SV Monteringsanvisning
CS Návod na montáž	NL Instrukcja montażu	TK Uydurma talimat
DA Monteringsvejledning	NO Monteringsveiledning	ZH 裝修指導
EL Οδηγίες συναρμολόγησης	PL Instrukcja montażu	AR تعليمات التجميع




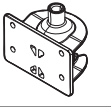
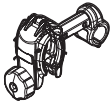


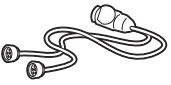




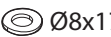






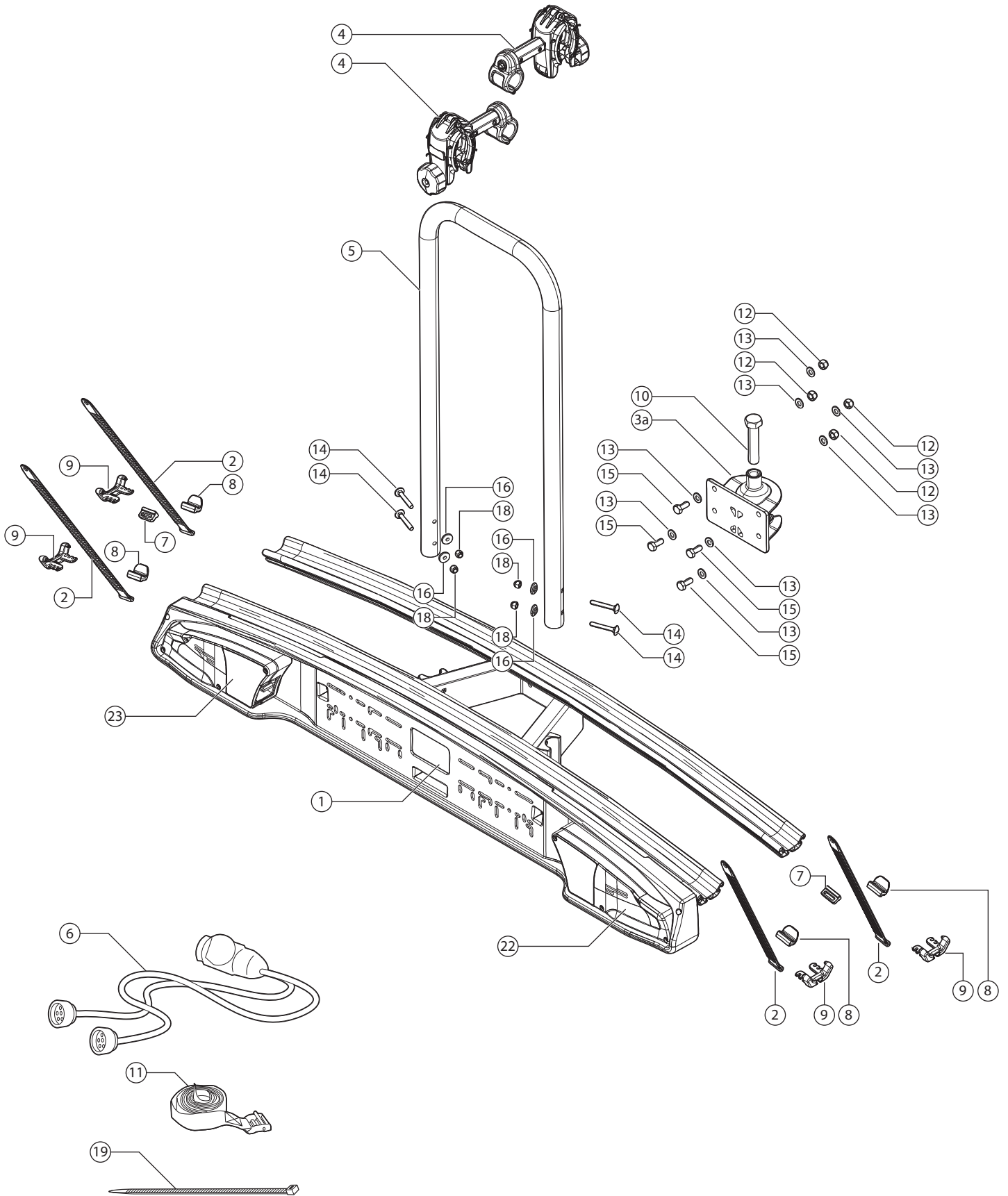
Made in Italy



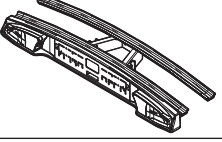

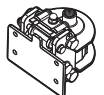

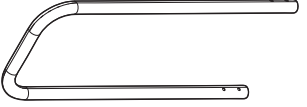
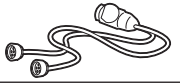




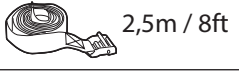



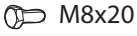




MERAK TYPE S




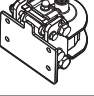

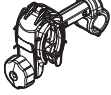

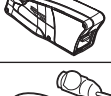



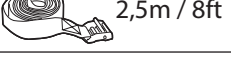

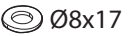





N.	(IT)Componenti (Inclusi) (EN)Components (Included) (FR)Composants (Comprises) (DE)Die Komponenten (im Lieferumfang enthalten) (ES)Componentes (Incluido)	Q.
1		1
2		4
3a		1
4		2
5		1
6		1
7		2
8		4
9		4
10	 M16x70	1
11	 2,5m / 8ft	1
12	 M8	4
13	 Ø8x17	8
14	 M6x45	4
15	 M8x20	4
16		4
18	 M6	4
19		2

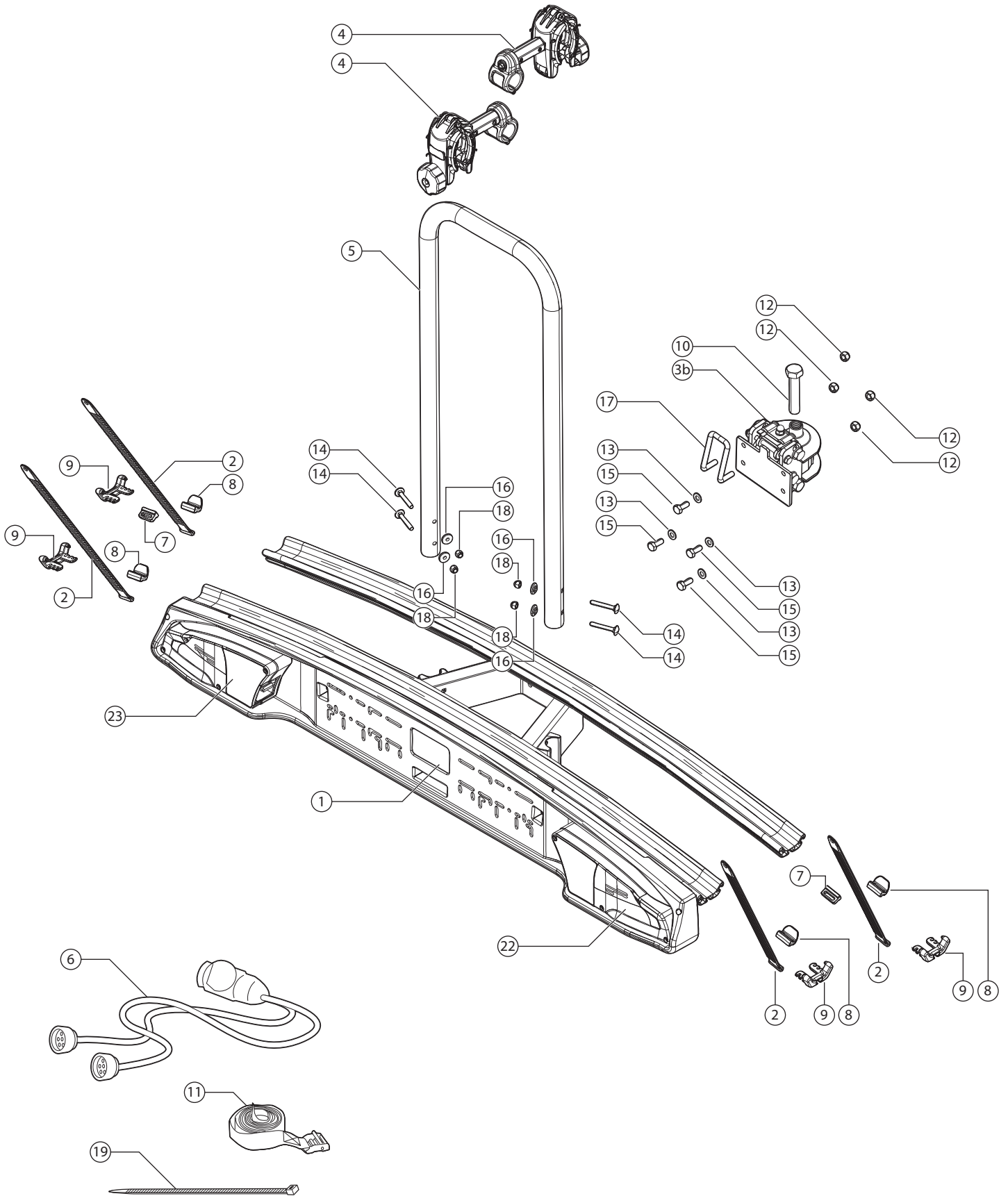
N.	(IT)Ricambi (A Richiesta) (EN)Spare Parts (Made to order) (FR)Pièces de rechange (Sur commande) (DE)E Teile (auf Anfrage) (ES)Piezas de recambio (Previa solicitud)	Q.	Codice-Code-Código
2		1	700003800000
7		2	
8		1	
3a		1	700003000000
4		1	700003200000
22	 DX	1	700033700000
23	 SX	1	700033800000
6		1	700033600000
9		2	700003900000
10	 M16x70	1	700004100000
11	 2,5m / 8ft	1	700001100000
12	 M8	4	700037000000
13	 Ø8x17	8	
14	 M6x45	4	
15	 M8x20	4	
16		4	
18	 M6	4	



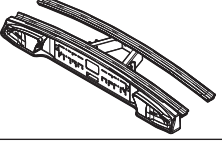

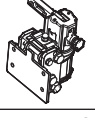
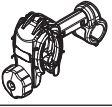







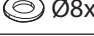
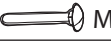






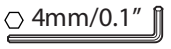
MERAK TYPE K




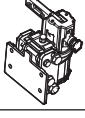


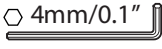
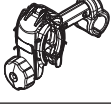












N.	(IT)Componenti (Inclusi) (EN)Components (Included) (FR)Composants (Comprises) (DE)Die Komponenten (im Lieferumfang enthalten) (ES)Componentes (Incluido)	Q.
1		1
2		4
3b		1
4		2
5		1
6		1
7		2
8		4
9		4
10	 M16x70	1
11	 2,5m / 8ft	1
12	 M8	4
13	 Ø8x17	4
14	 M6x45	4
15	 M8x20	4
16		4
17		1
18	 M6	4
19		2

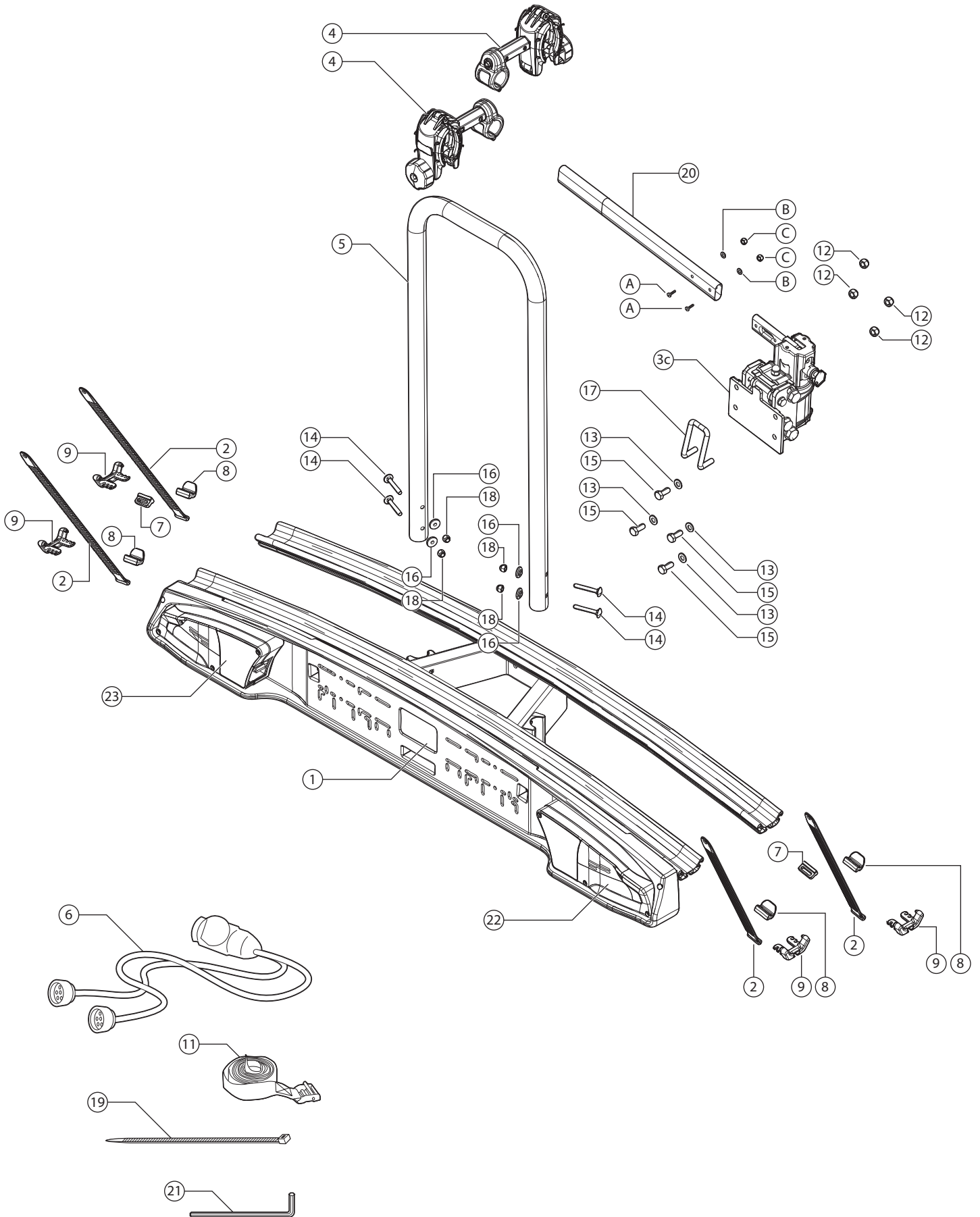
N.	(IT)Ricambi (A Richiesta) (EN)Spare Parts (Made to order) (FR)Pièces de rechange (Sur commande) (DE)E Teile (auf Anfrage) (ES)Piezas de recambio (Previa solicitud)	Q.	Codice-Code-Código
2		1	70003800000
7		2	
8		1	
3b		1	70001150000
17		1	
4		1	700003200000
22	 DX	1	700033700000
23	 SX	1	700033800000
6		1	700033600000
9		1	700003900000
10	 M16x70	1	700004100000
11	 2,5m / 8ft	1	700001100000
12	 M8	4	700037000000
13	 Ø8x17	8	
14	 M6x45	4	
15	 M8x20	4	
16		4	
18	 M6	4	
17		1	





MERAK TYPE Q

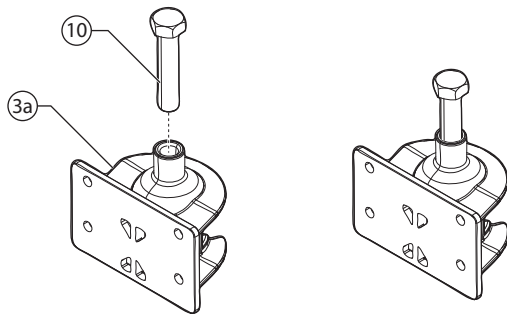
N.	(IT)Componenti (Inclusi) (EN)Components (Included) (FR)Composants (Comprises) (DE)Die Komponenten (im Lieferumfang enthalten) (ES)Componentes (Incluido)	Q.
1		1
2		4
3c		1
4		2
5		1
6		1
7		2
8		4
9		4
11	 2,5m / 8ft	1
12	 M8	4
13	 Ø8x17	4
14	 M6x45	4
15	 M8x20	4
16		4
17		1
18	 M6	4
19		2
20		1
21	 4mm/0.1"	1

N.	(IT)Ricambi (A Richiesta) (EN)Spare Parts (Made to order) (FR)Pièces de rechange (Sur commande) (DE)E Teile (auf Anfrage) (ES)Piezas de recambio (Previa solicitud)	Q.	Codice-Code-Código
2		1	70003800000
7		2	
8		1	
3c		1	700011400000
17		1	
20		1	
21	 4mm/0.1"	1	
4		1	70003200000
22	 DX	1	700033700000
23	 SX	1	700033800000
6		1	700033600000
9		1	70003900000
11	 2,5m / 8ft	1	700001100000
12	 M8	4	700037000000
13	 Ø8x17	8	
14	 M6x45	4	
15	 M8x20	4	
16		4	
18	 M6	4	
17		1	700004300000






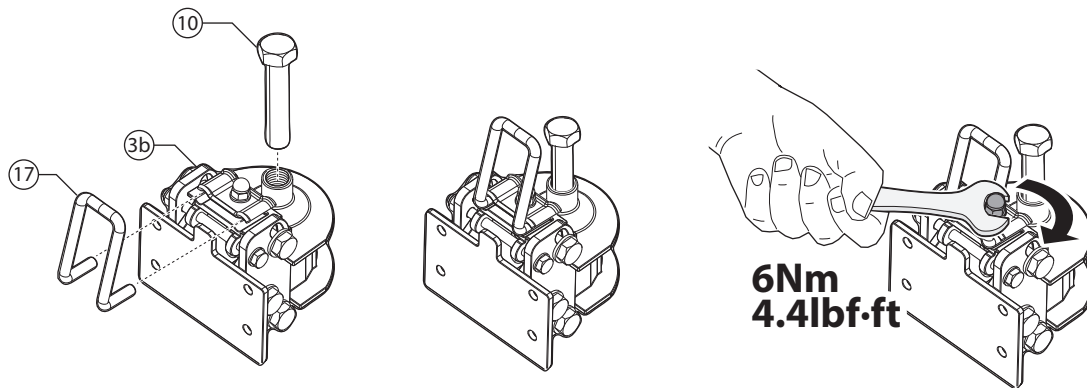
TYPE S

N.		Q.
3a		1
10	 M16x70	1



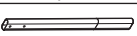





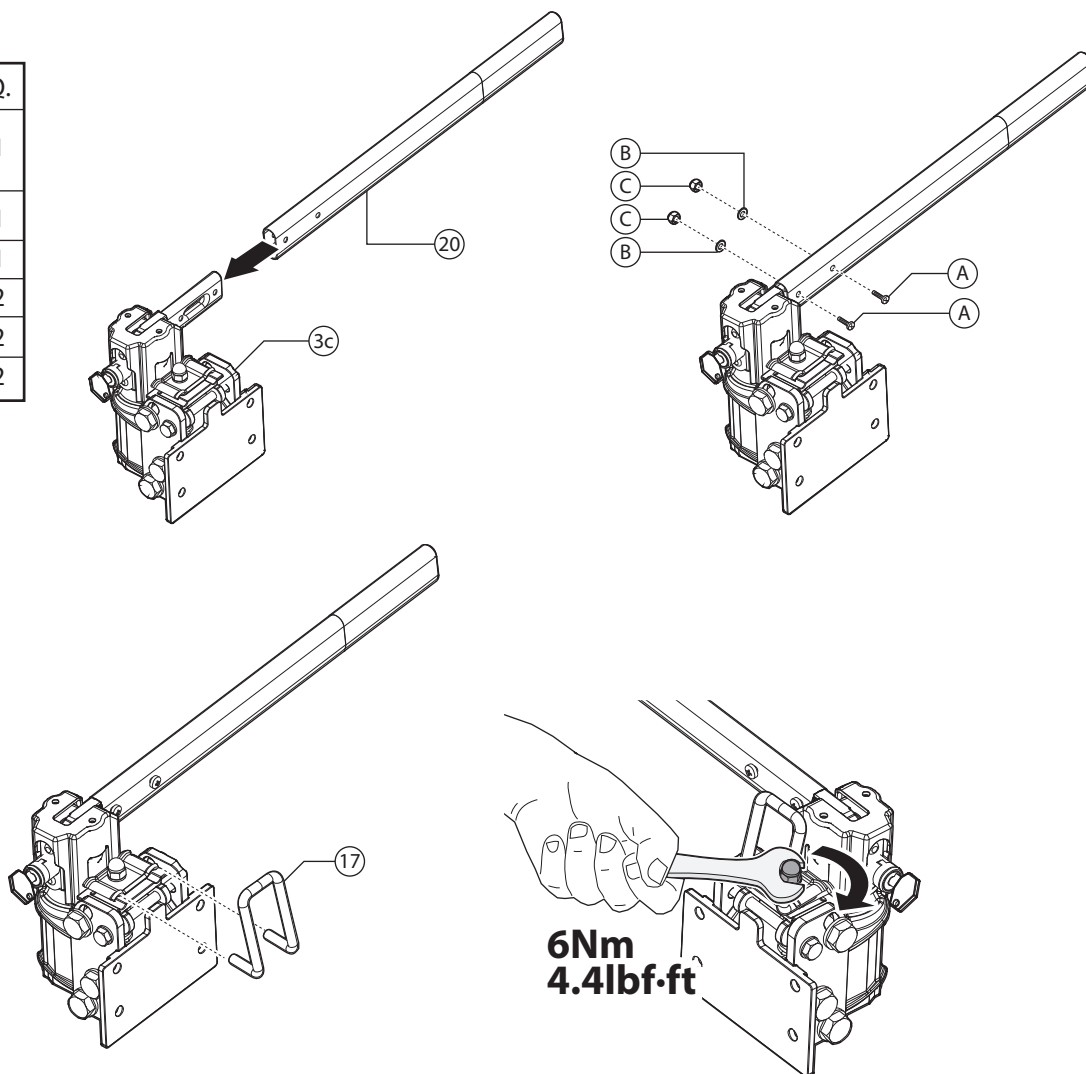
TYPE K

N.		Q.
3b		1
10	 M16x70	1
17		1

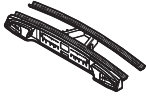





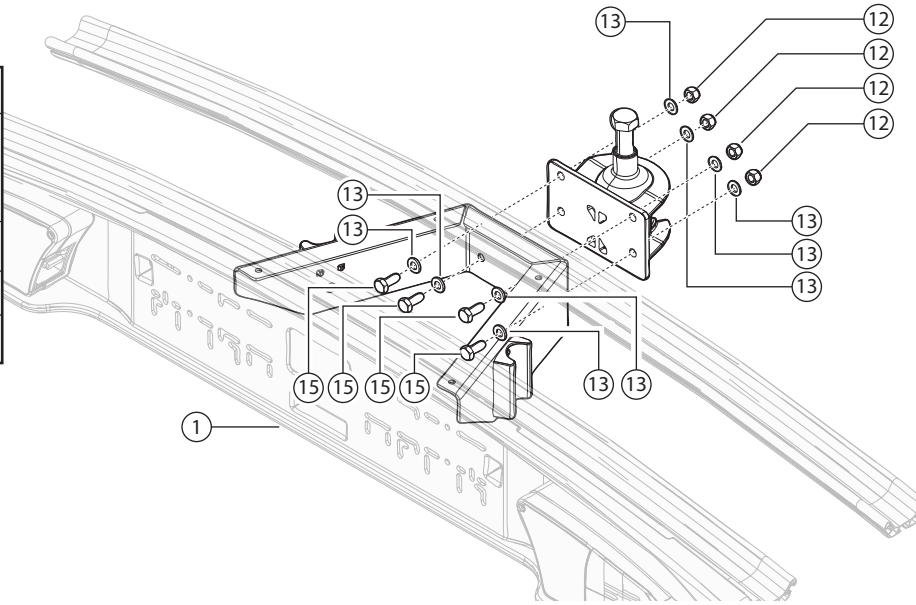
TYPE Q

N.		Q.
3c		1
17		1
20		1
A		2
B		2
C		2

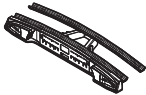





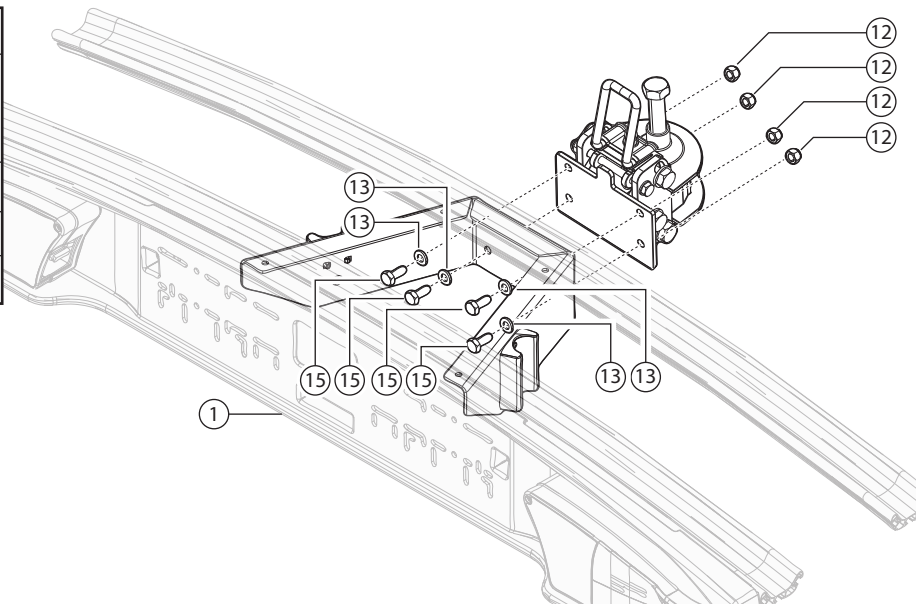
TYPE S

N.		Q.
1		1
12	 M8	4
13	 Ø8x17	8
15	 M8x20	4

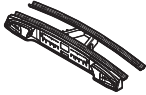





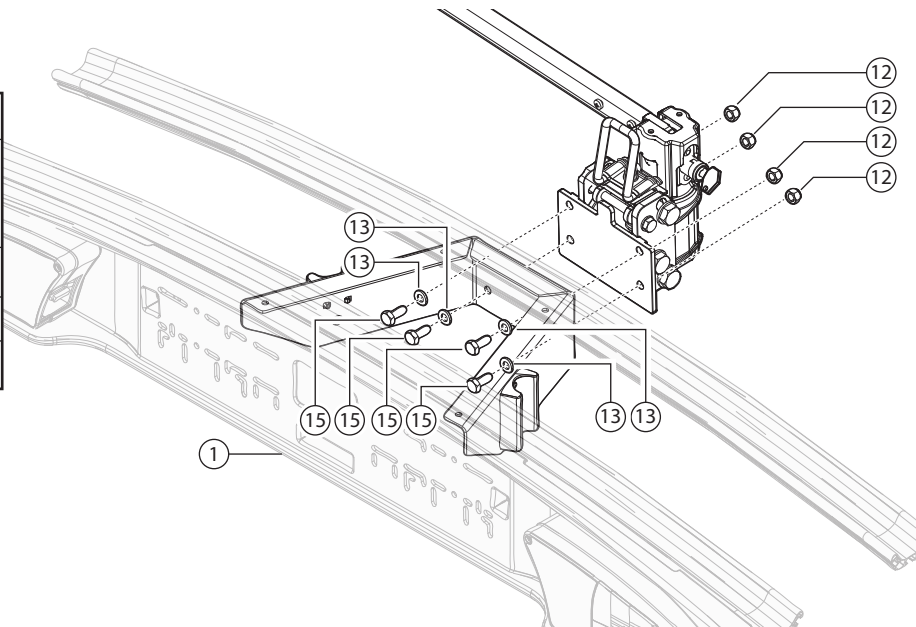
TYPE K

N.		Q.
1		1
12	 M8	4
13	 Ø8x17	4
15	 M8x20	4

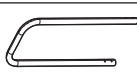

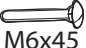



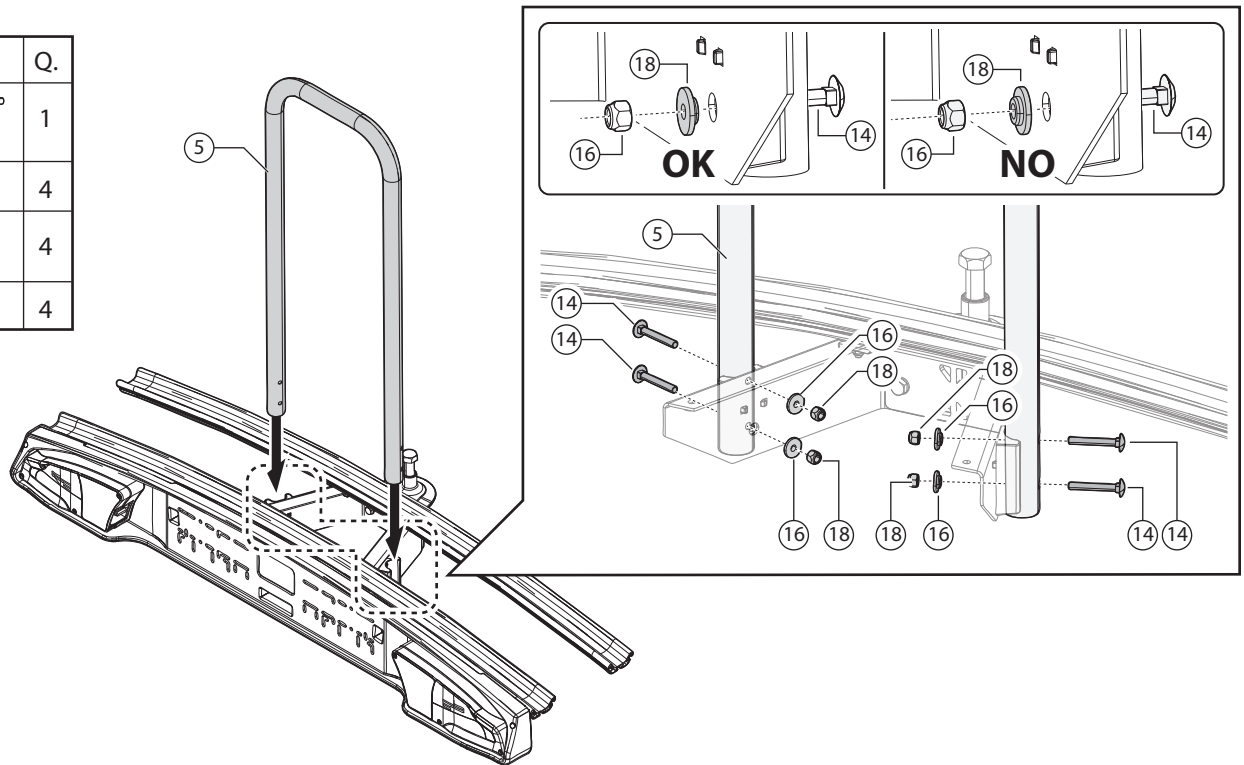
TYPE Q

N.		Q.
1		1
12	 M8	4
13	 Ø8x17	4
15	 M8x20	4





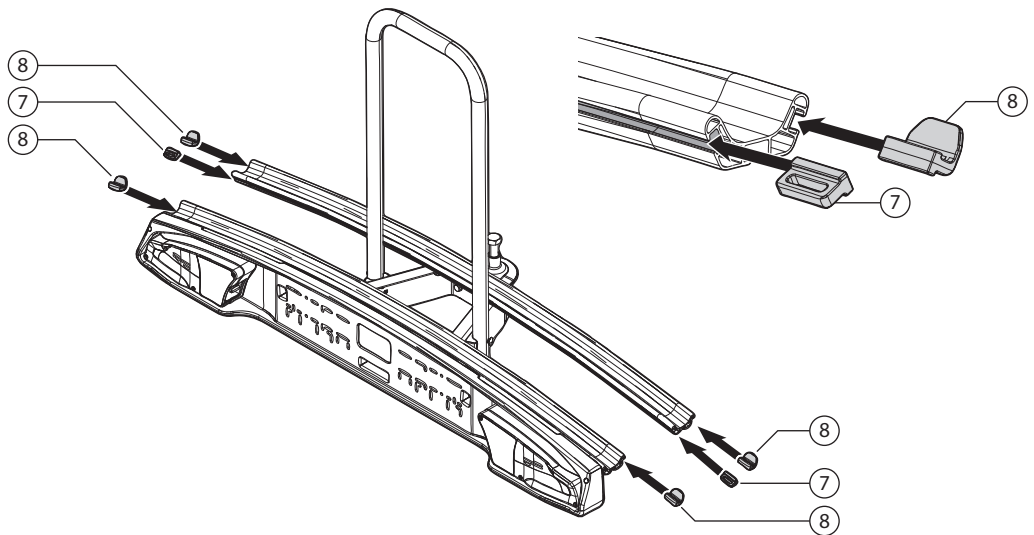
3—TYPE S / TYPE K / TYPE Q

N.		Q.
5		1
18		4
14		4
16		4




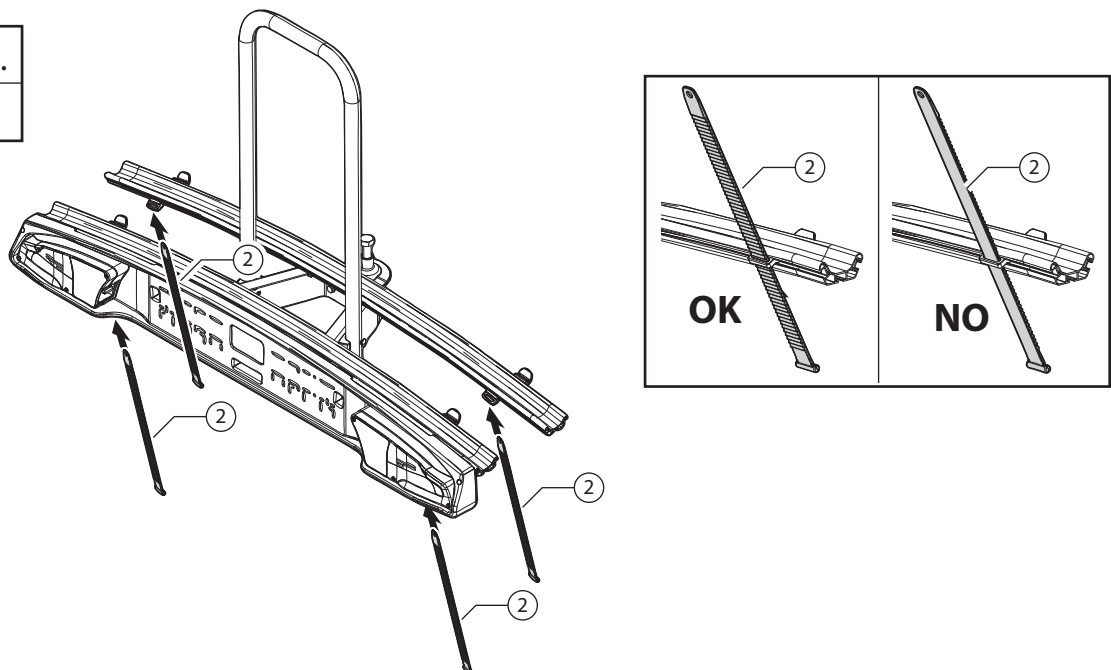
4—TYPE S / TYPE K / TYPE Q

N.		Q.
7		2
8		4




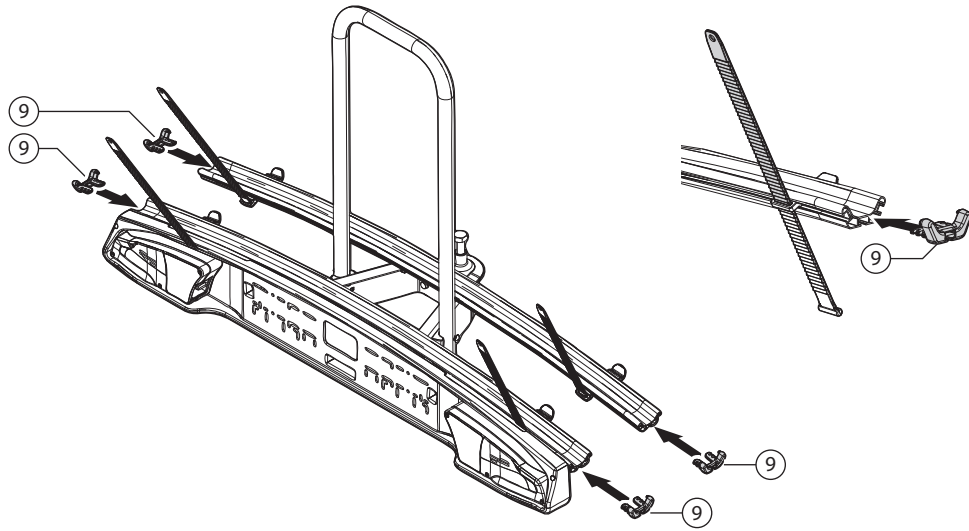
5—TYPE S / TYPE K / TYPE Q

N.		Q.
2		4

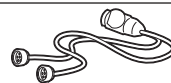


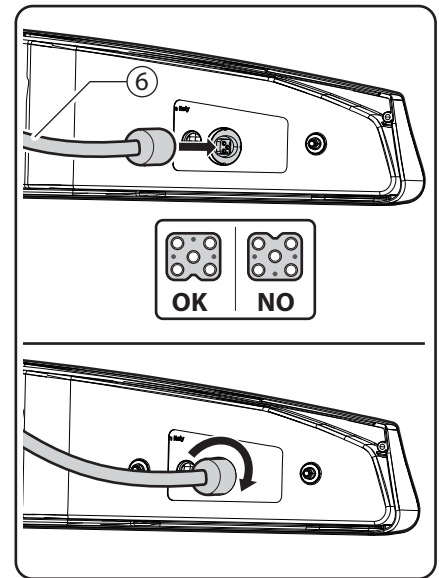
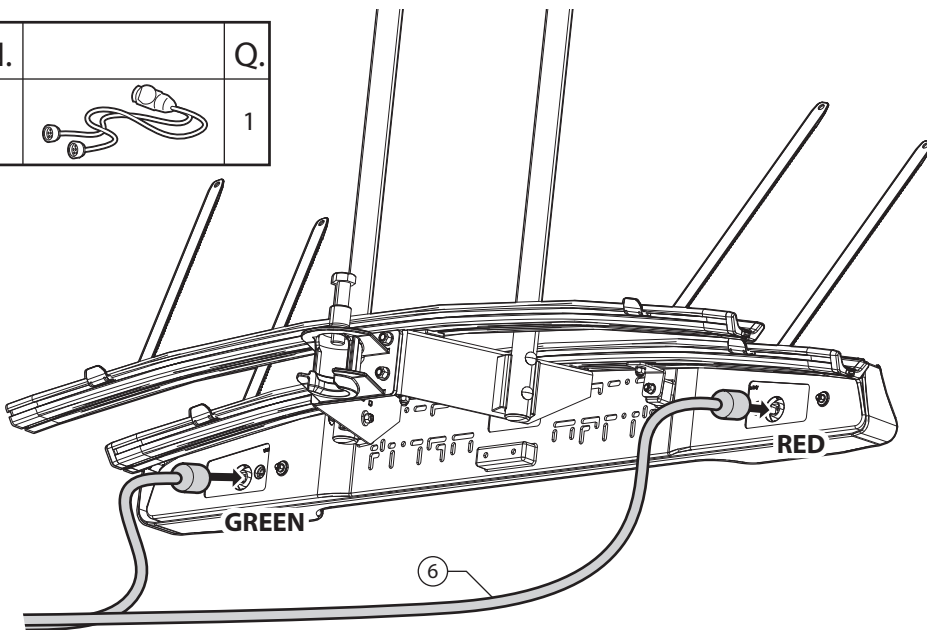
⑥—TYPE S / TYPE K / TYPE Q

N.		Q.
9		4

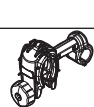



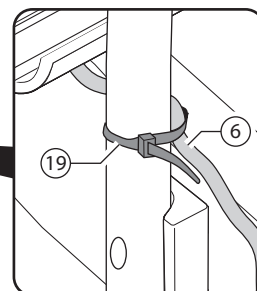
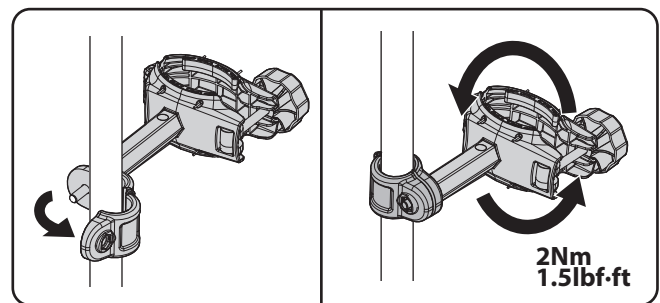
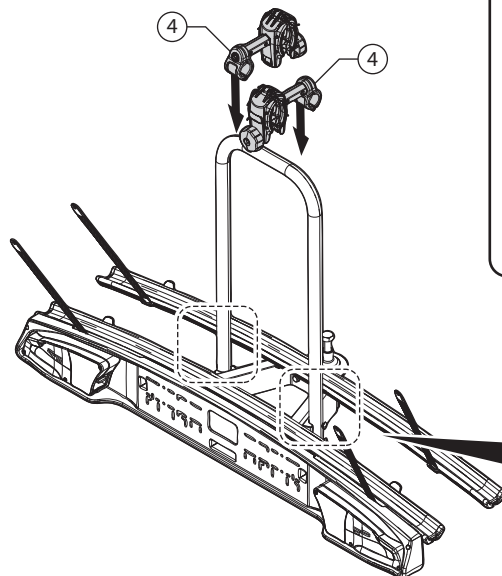
⑦—TYPE S / TYPE K / TYPE Q

N.		Q.
6		1

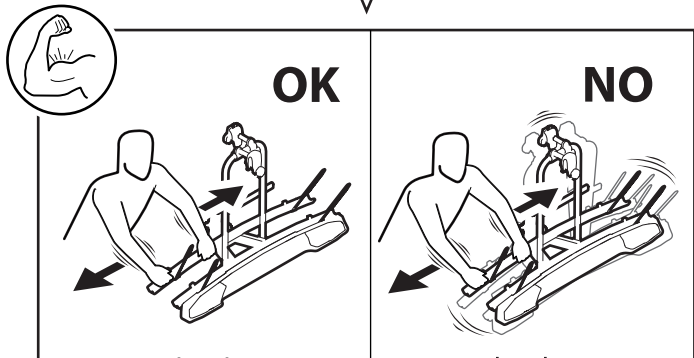
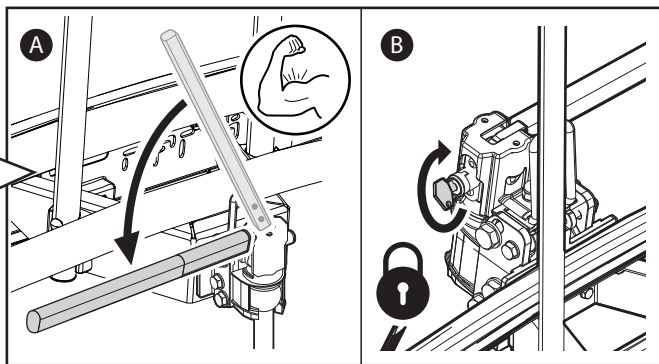
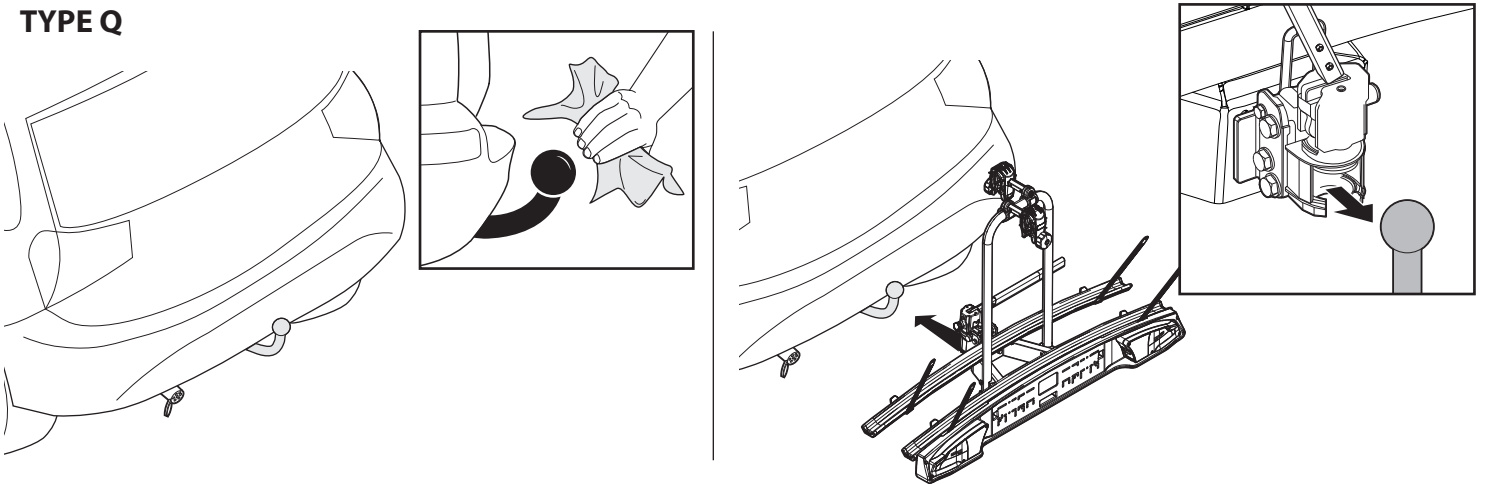


⑧—TYPE S / TYPE K / TYPE Q

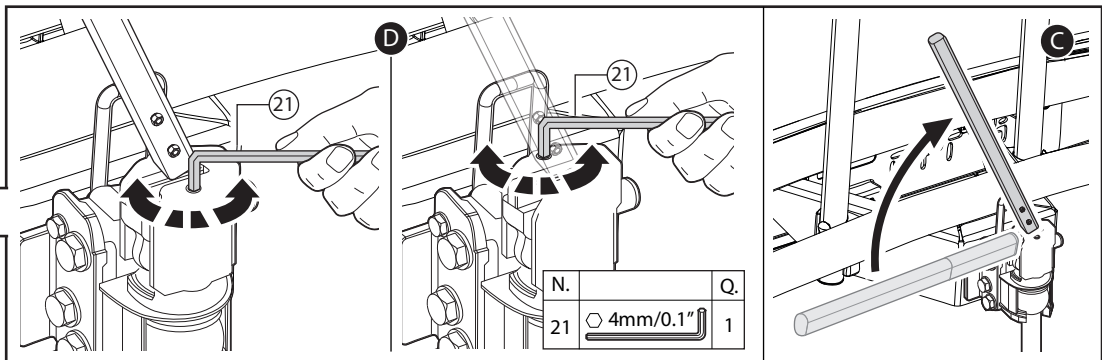
N.		Q.
4		2
19		2



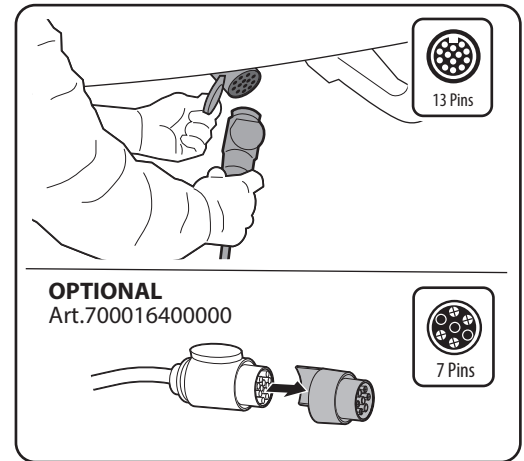
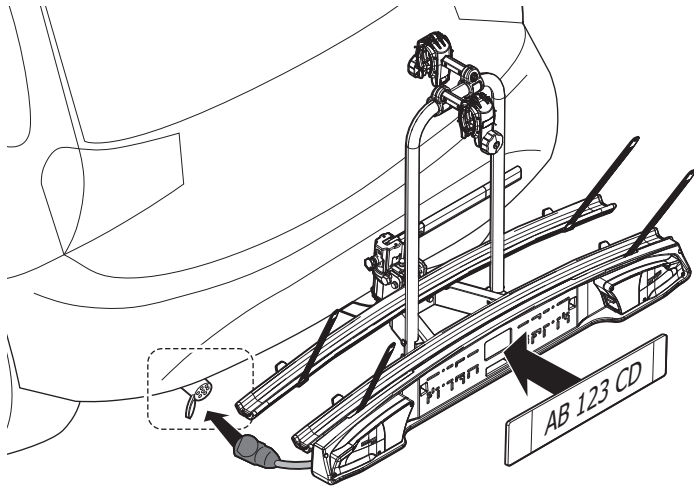
TYPE Q



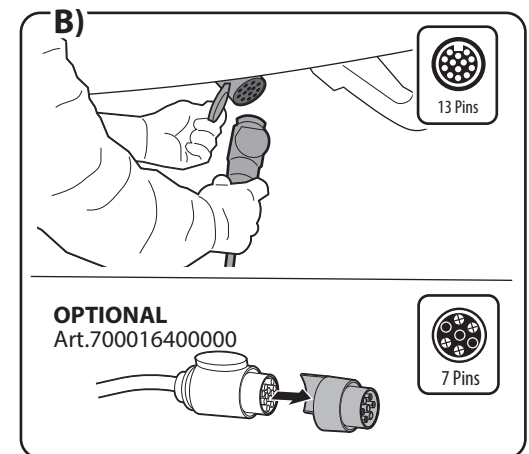
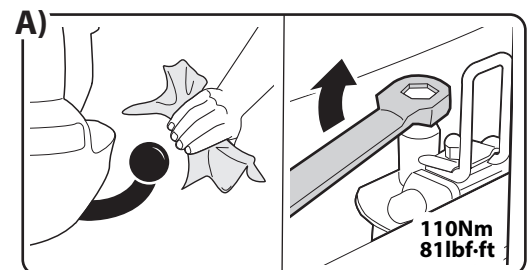
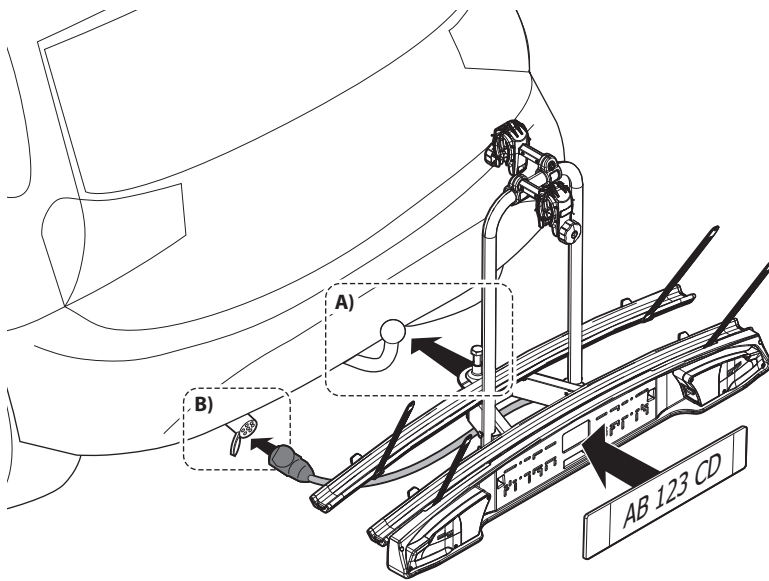
pag.13



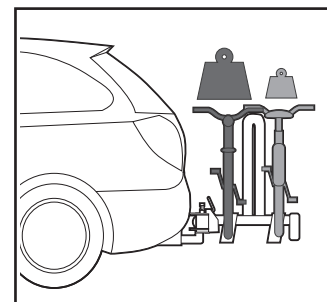
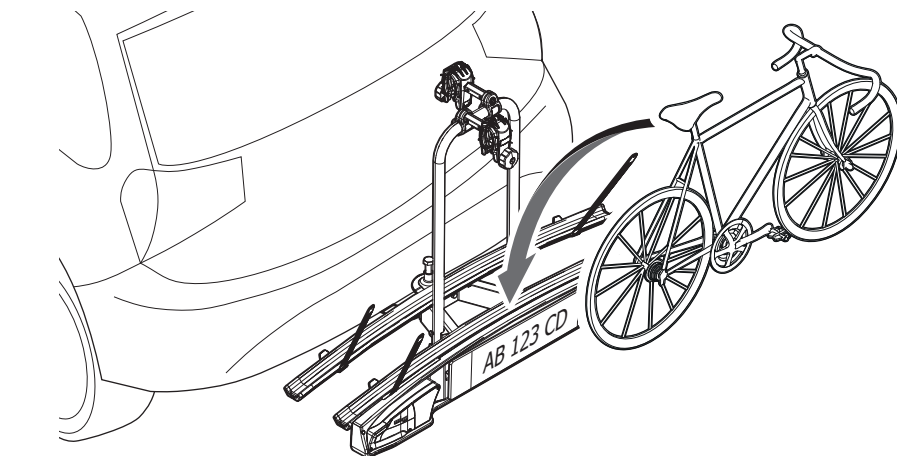
TYPE Q



TYPE S / TYPE K



10 TYPE S / TYPE K / TYPE Q



● **MIN** Ø30 mm / 1,2"
MAX Ø50 mm / 2"
● **MIN** 30x60 mm / 1,2"x2,4"
MAX 50x70 mm / 2"x 2,7"



MIN 22"
MAX 29"

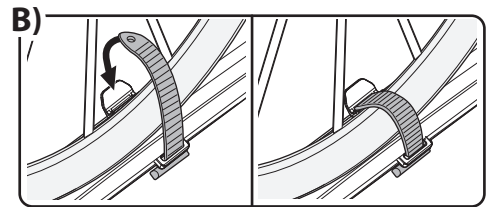
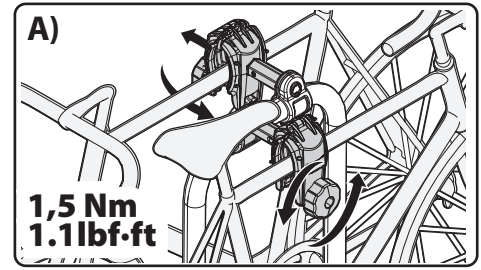
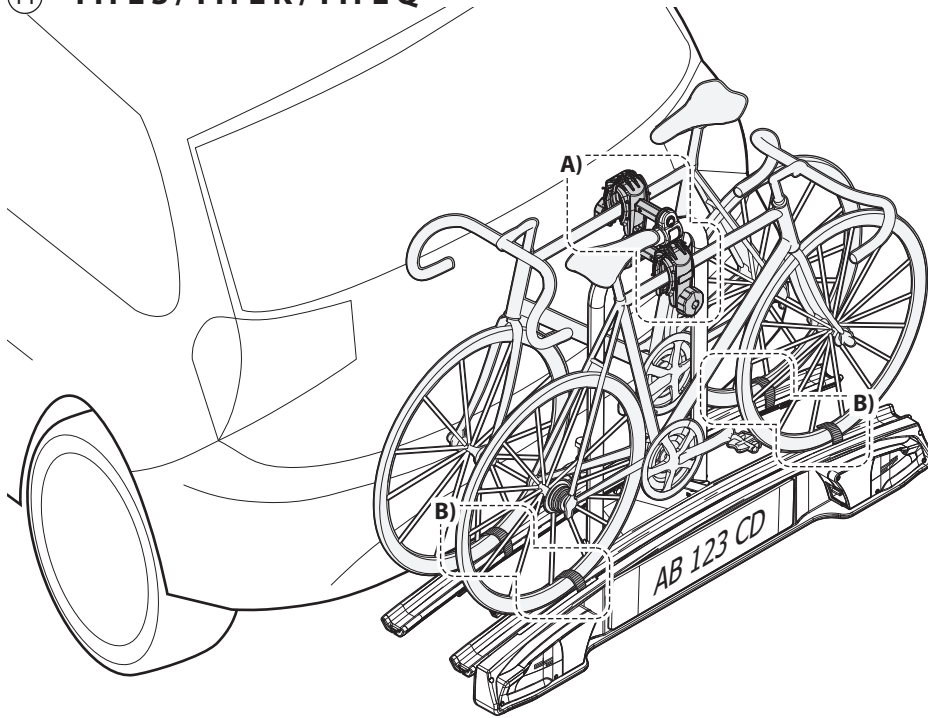


MAX 65mm / 2.5"




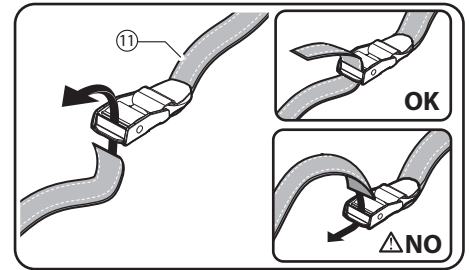
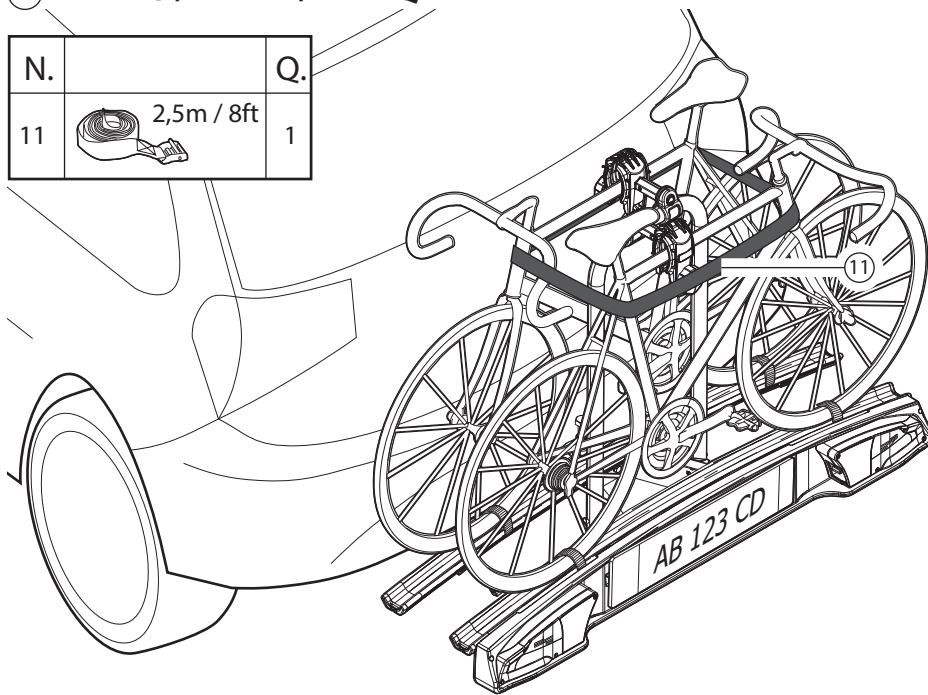
MAX 1260mm / 49,6"

11 TYPE S / TYPE K / TYPE Q

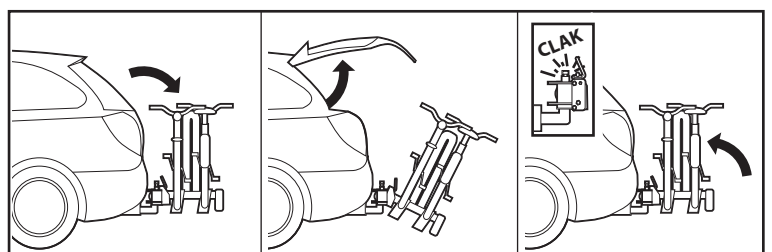
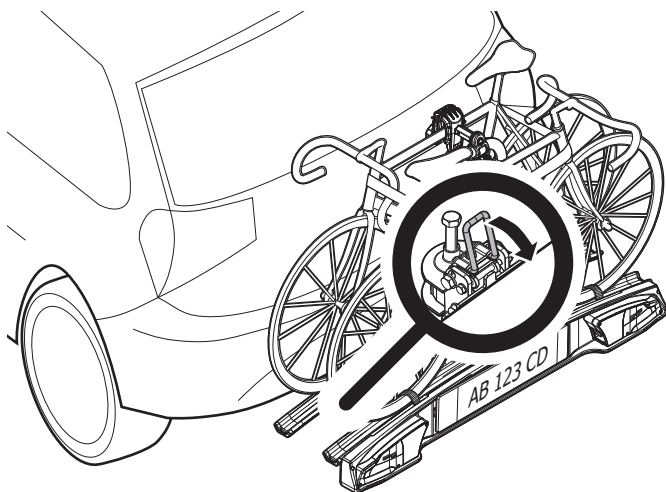


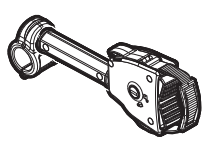
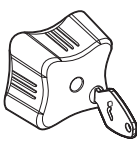
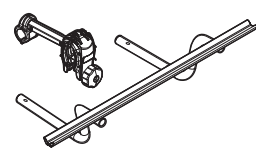
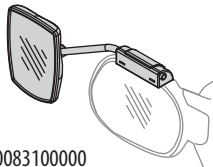
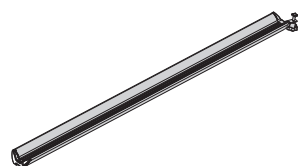
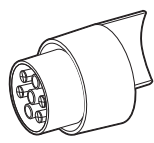
12 TYPE S / TYPE K / TYPE Q








N.		Q.
11	 2,5m / 8ft	1



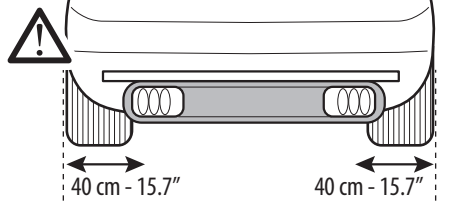
TYPE K / TYPE Q




OPTIONAL		
BRACCETTO CORTO  Art.000103900000	POMELLO ANTIFURTO  Art.000026400000	KIT 2+1  Art.000117800000
EVIDENCE MIRROR  Art.000083100000	RAMPA  Art.000082100000	ADATTATORE 7 PIN  Art.700016400000

MAX  94/20/CE STANDARD	 Type S	 Type K	 Type Q	Standard	x2	E-bike	x1	 Car Manual	
					OR		MAX 25kg - 55lb		
50 kg - 110lb	9,6 kg / 21lb	10,6 kg / 23.3lb	11,7 kg / 25.8lb						
60 kg - 132.3lb									
70 kg - 154.3lb									
80 kg - 176.4lb									
>80 kg - 176.4lb									
						45kg / 99lb			
						45kg / 99lb			
						45kg / 99lb			
						45kg / 99lb			
						45kg / 99lb			

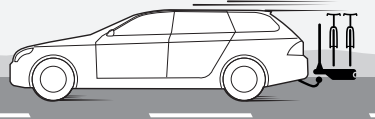
No Tandem

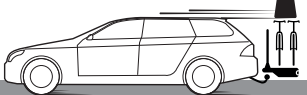
40 cm - 15.7" 40 cm - 15.7"



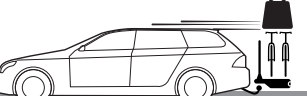
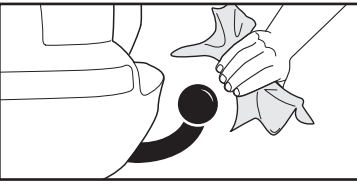
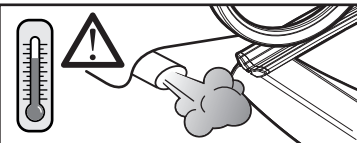
130 km/h 80 mph



SPEED



SPEED



F.lli Menabò S.r.l.
Via 8 Marzo, 3
42025 Cavriago (RE) Italy
cutomercare@flli-menabo.it
www.menabocaraccessories.com

Product registration

IT) eu.menabocaraccessories.com/ita/product-support-ita
EN) eu.menabocaraccessories.com/eng/product-support-eng
DE) eu.menabocaraccessories.com/deu/product-support-deu
FR) eu.menabocaraccessories.com/fra/product-support-fra
ES) eu.menabocaraccessories.com/esp/product-support-esp

Cod.Istr.	Data
500034100001	15/12/2020

www.menabocaraccessories.com

Name

Surname

Email

Telephone

Serial number

Product name